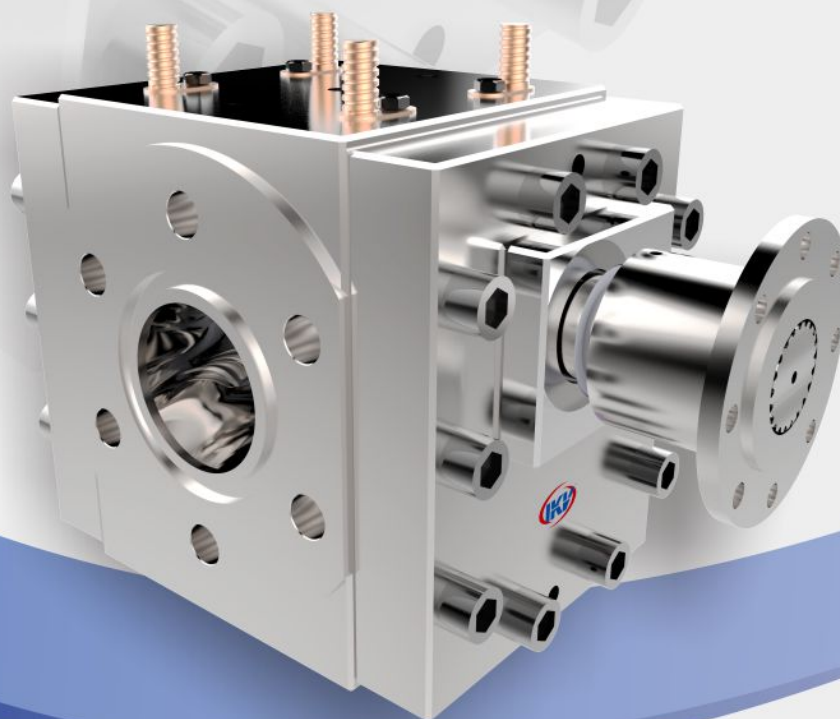




 Extrusion pump for extrusion processing

IKV-SP Serie



 Extrusion pump

 Rubber pump

 Reactor pump

 Chemical pump



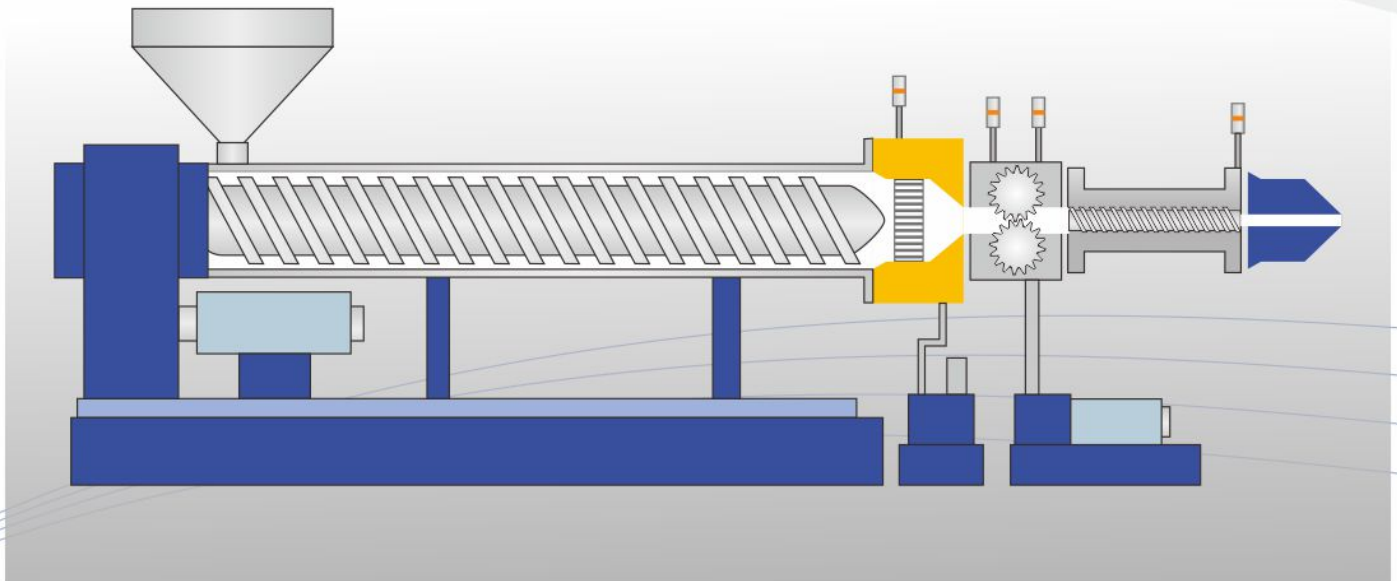
Applications

Extrusion pump ,a kind of gear pump designed for extruder.

It can be used for increasing the capacity of extruder and the quality of end product at the same time .

And it can be used for increasing the optical properties of end products and reducing of manufacturing tolerance.

Especially for recycled material , it is necessary to install an excellent extrusion pump.





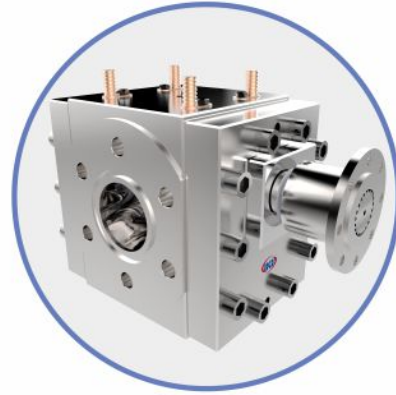
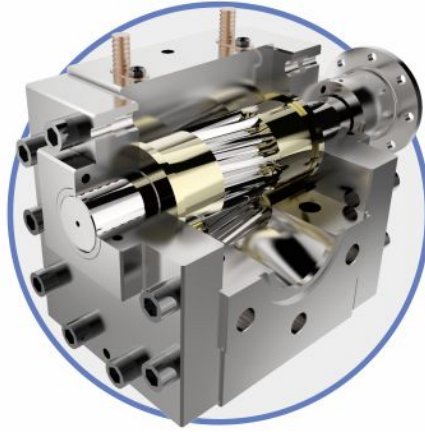
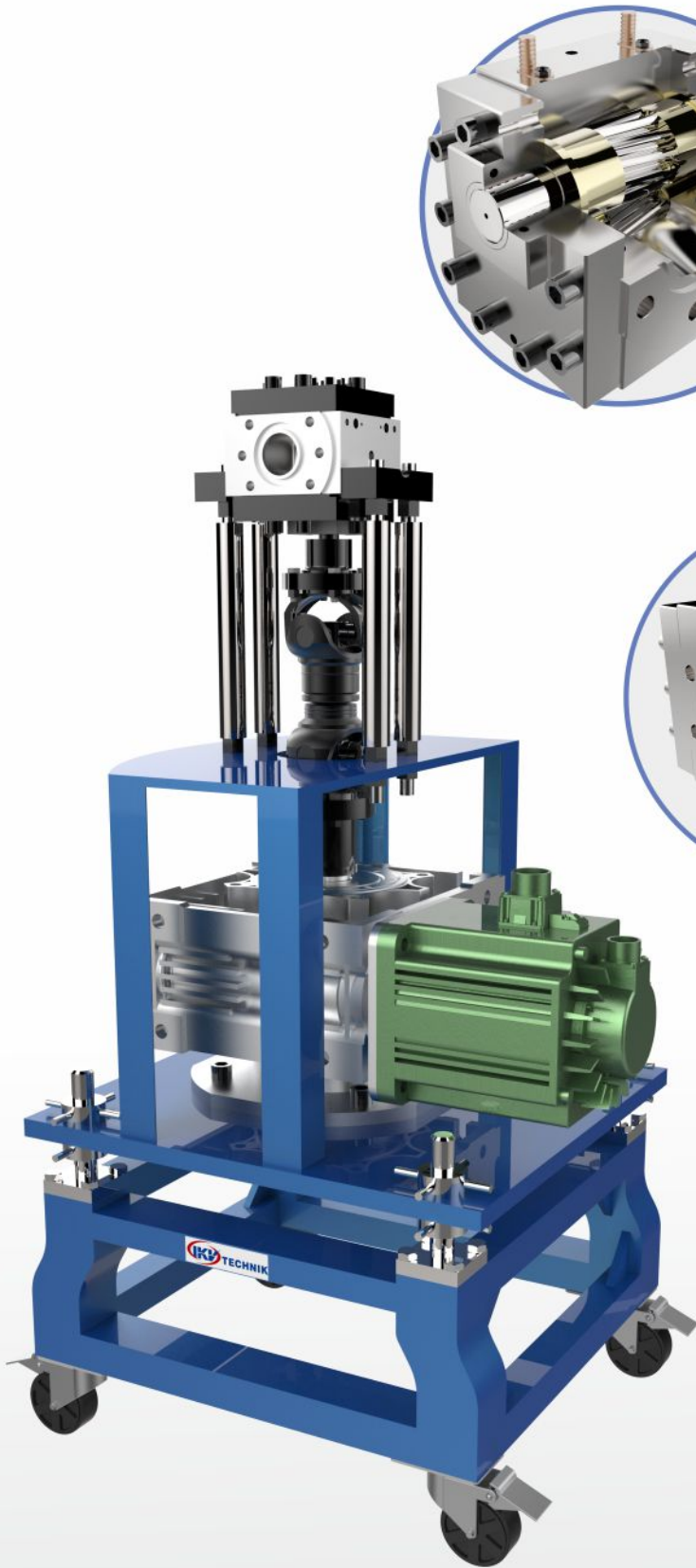
Technical Features & Operating Parameters

Viscosity	≤ 40000Pa. s
Temperature	≤400°C
Inlet Pressure	≤120bar
Outlet Pressure	≤350bar
Housing	alloy steel
Plate	alloy steel
Gear shaft	Special alloy steel (Standard: helical gear,Optional:straight gear ,herringbone gear)
Sliding Bearing	Special tool steel , special material
Shaft Seal	Copper Alloy (spiral seal)
Heating	Electrical heating

Pump Sizes

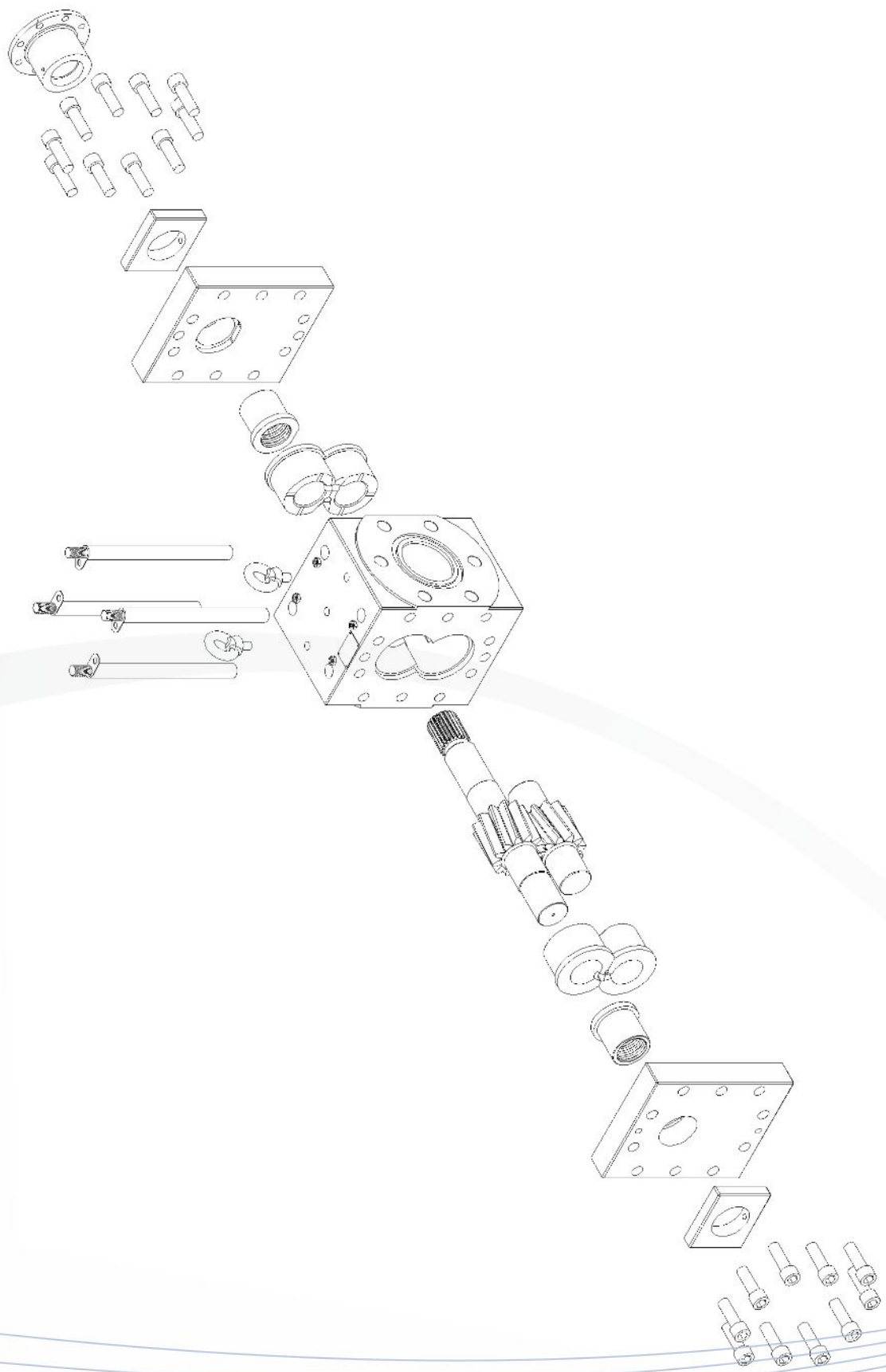
Model	displacement (ml/r)	Capacity(l/h)
22/22	4.7	3-56.4
28/28	10.2	6-91.8
36/36	25.6	15-230
45/45	46.3	28-416
56/56	92.6	55-750
70/70	176	105-1267
90/90	371	222-2226
110/110	718	430-4308
140/140	1490	900-6258
180/180	3224	1920-13540

The data above are the theoretical maximum transmission capacity, under different operating conditions, the capacity will be different.



Features

- Optimized flow channel
- Easy operation
- High reliability





埃克威尔 (上海) 实业有限公司
地址：中国 (上海) 自由贸易试验区富特西一路139号
电话：021-61063631 61063639
传真：021-61063637
网址：<http://www.ikvpump.cn>
邮箱：sale@ikvpump.cn

IKV Technik GmbH
Zeilweg 44
D-60439 Frankfurt am Main
Tel : + 49 069 6696 0864
Fax : + 49 069 6696 0869
www.ikvpump.de
sale@ikvpump.de