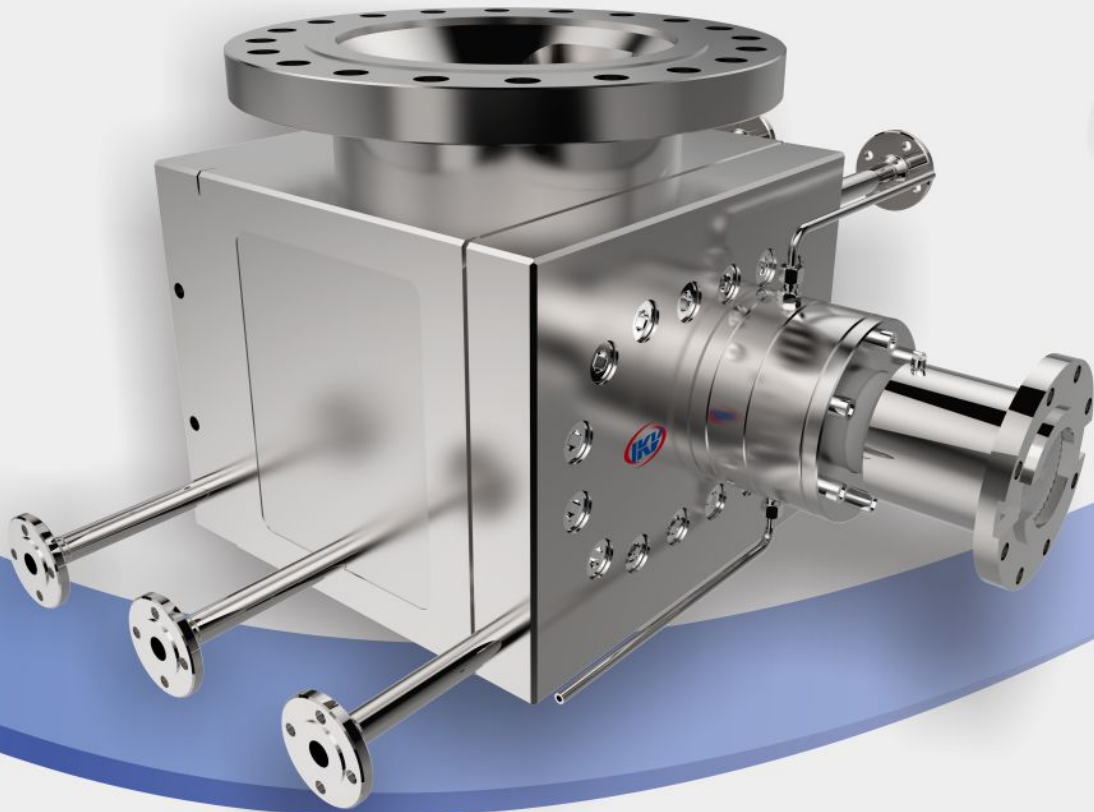




Reactor Pump for Polymer Industry



IKV-SPP Serie



Extrusion pump



Rubber pump



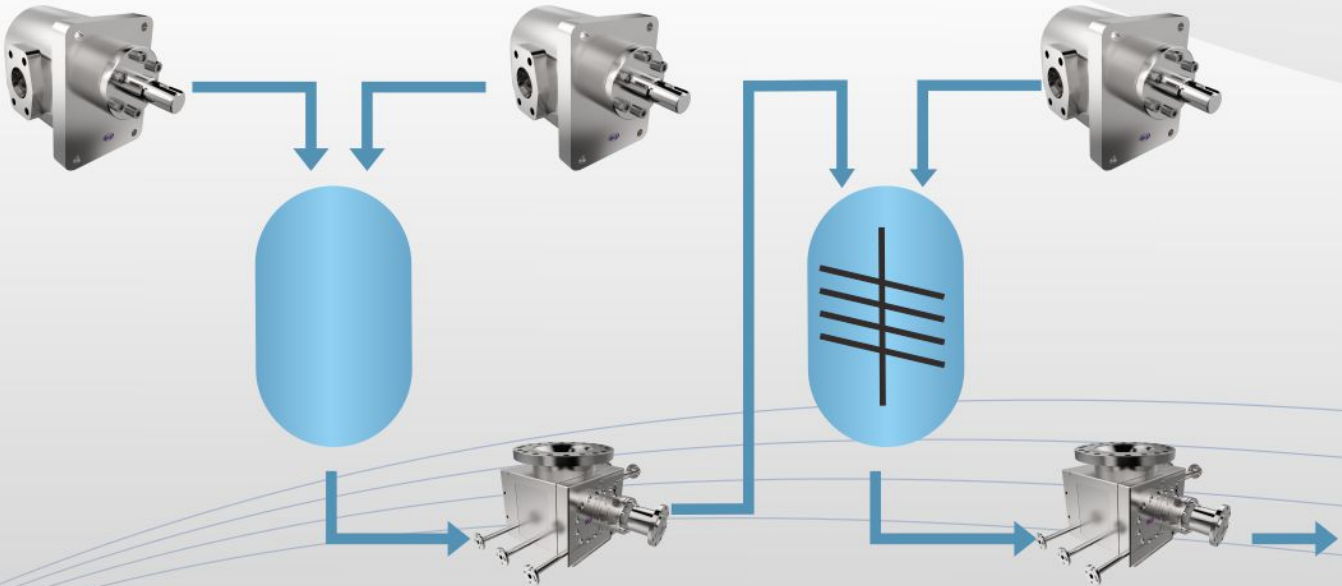
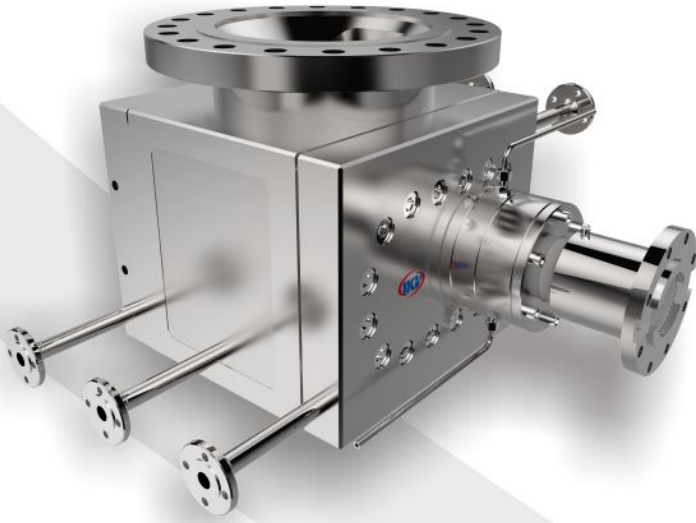
Reactor pump



Chemical pump

Applications

Reactor pump is mainly used to meet the demand of polymer industry. It conveys the polymer melt to the downstream device from the reactor. With our optimized flow channel design, the reactor pump allows the high viscosity or foaming polymer melt to be conveyed in a more safe and reliable method.





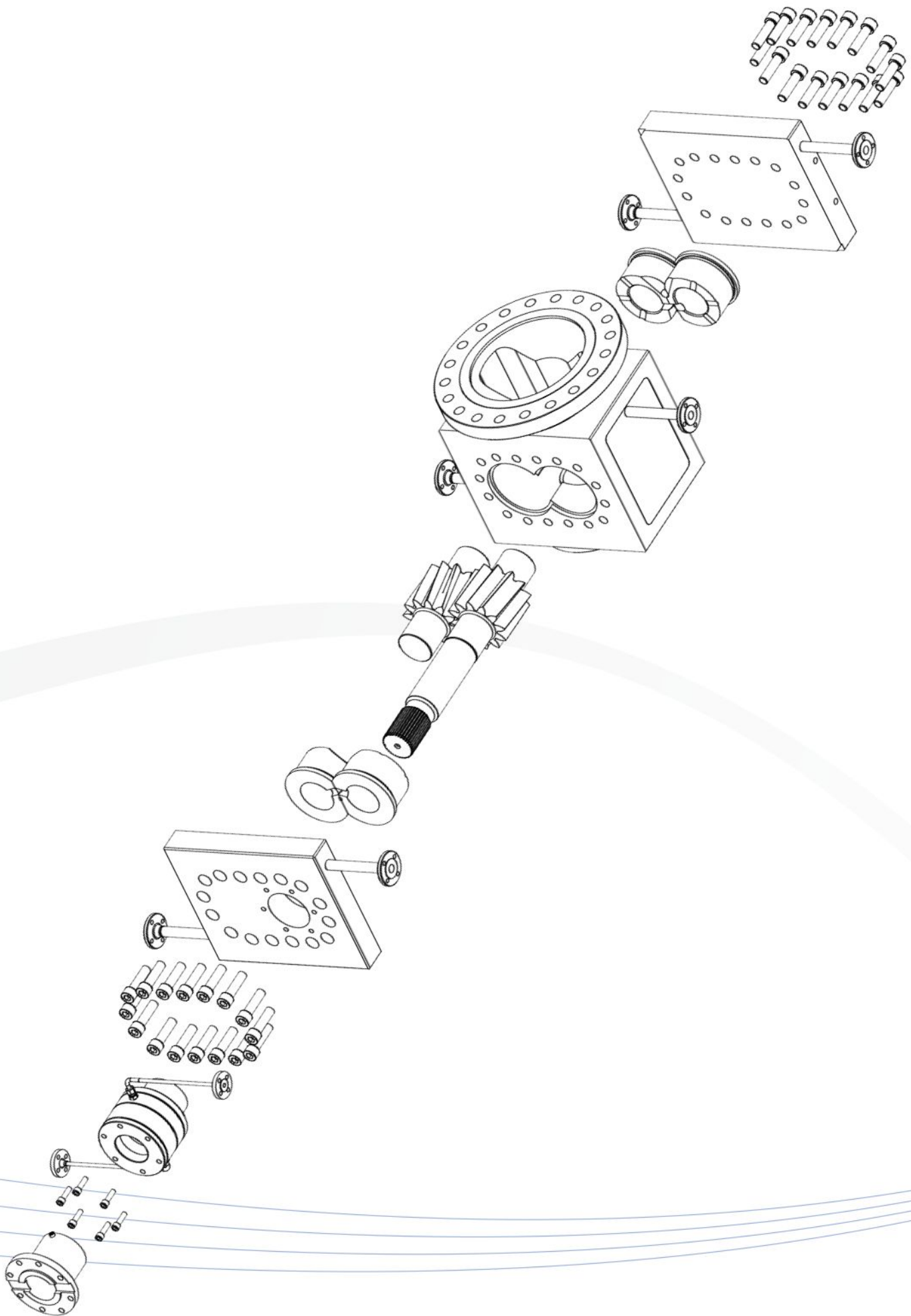
Technical Features & Operating Parameters

Material viscosity	≤ 40000Pas
Temperature	≤350℃
Inlet Pressure	Vacuum-15bar
Different pressure between inlet and outlet	≤250bar
Housing	Stainless steel ,alloy steel
Plate	Alloy steel
Gear shaft	Alloy steel/Nitriding steel(Standard: helical gear,Optional: straight gear)
Sliding Bearing	special too steel/special material
Shaft Seal	Alloy steel/spiral seal , packing seal
Heating	Heat medium/max temperature 350℃

Pump Sizes

Model	Volume(ml/r)	Capacity(l/h)
22/6	1.28	0.38-15.3
22/13	2.7	0.81-32.4
22/22	4.7	1.4-56.4
28/28	10.2	3-92
36/36	25.6	7.7-230
45/45	46.3	14-416
56/56	92.6	27.8-723
70/70	176	52.8-1372
90/90	371	111-2893
110/110	718	215-4738
140/140	1490	447-8940
180/180	3224	967-17409
224/224	6100	1830-32940
280/280	12000	3600-57600
320/320	18000	1830-43200
360/360	25000	3600-52500

The data above are the theoretical maximum transmission capacity, under different operating conditions, the capacity will be different.





Features

- High reliability
- Low pulsation
- Very low loss of suction side pressure
- Bigger suction side, shorter flow channel



IKV(Shanghai) Industry Co.,Ltd
No.139 FuTe West Road ,Pilot free trade zone ,
Shanghai, China
TEL : 021-61063631 61063639
Fax : 021-61063637
Web : <http://www.ikvpump.cn>
Email : sale@ikvpump.cn

IKV Technik GmbH
Zeilweg 44
D-60439 Frankfurt am Main
Tel : + 49 069 6696 0864
Fax : + 49 069 6696 0869
www.ikvpump.de
sale@ikvpump.de